

# BAXI



## **SPARE PARTS CATALOGUE**

**- February 2008 -**

**POWER HT**

# HOW TO READ THE SPARE PARTS CATALOGUE

In the spare part catalogue, after the exploded diagrams, there are the components lists of the boilers; this is the meaning of the different columns:

Pos.	Identification number of the component in the exploded diagram of the boiler.
Description	Short description of the component.
Code	BAXI S.p.A. code of the component.
Tab. XX	XX is the exploded diagram number of the boiler taken into consideration.
From serial number	Date (year and week) identifying the beginning of production of a component (taken from the serial number of the boiler). e.g. B005: year 2000 (B identifies the decade 2000-2009; 0 identifies the year) – 5th week. If the box is empty, the component is in use from the beginning of production of the boiler.
To serial number	Date (year and week) identifying the end of production of a component (taken from the serial number of the boiler). e.g. B012: year 2000 (B identifies the decade 2000-2009; 0 identifies the year) – 12th week. If the box is empty, the component is still in use.
Interchangeable	It identifies the interchangeability between the new component and the old one. YES: components are interchangeable. NO: components are not interchangeable.

## BOILERS CONNECTION BOARD - EXPLODED VIEW

## TABELLA COLLEGAMENTO CODICE CALDAIA - ESPLOSO

## TABLERO UNIÓN CALDERA - EXPLOSIONADO

## TABLEAU CONNECTION CODEX CHAUDIERE - VUE ECLATEE

<b>BOILER CODE</b>	<b>BOILER DESCRIPTION</b>	<b>EXPLODED REF.</b>
<b>CODICE CALDAIA</b>	<b>DESCRIZIONE CALDAIA</b>	<b>RIF. ESPLOSO</b>
<b>CODIGO CALDERA</b>	<b>DESCRIPCION CALDERA</b>	<b>REF. EXPLOSIONADO</b>
<b>CODE CHAUDIÈRE</b>	<b>DESCRIPTION CHAUDIÈRE</b>	<b>RÉF. EXPLOSÉE</b>
WHS431045600	POWER HT 1.450	Tab 299
WHS431065600	POWER HT 1.650	Tab 299
WHS431085600	POWER HT 1_850	Tab 127
WHS431085601	POWER HT 1_850	Tab 127
WHS431085602	POWER HT 1_850	Tab 127
WHS431085610	POWER HT 1.850 G31	Tab 127
WHS431100600	POWER HT 1_1000	Tab 124
WHS431100601	POWER HT 1_1000	Tab 124
WHS431100602	POWER HT 1_1000	Tab 124
WHS431100610	POWER HT 1.1000 G31	Tab 124
WHS431112600	POWER HT 1_1150	Tab 123
WHS431112601	POWER HT 1_1150	Tab 123
WHS431112610	POWER HT 1.1150 G31	Tab 123
WHS431120600	POWER HT 1_1200	Tab 123
WHS431120601	POWER HT 1_1200	Tab 123
WHS431120602	POWER HT 1_1200	Tab 123
WHS431120610	POWER HT 1.1200 G31	Tab 123
WHS431150600	POWER HT 1_1500	Tab 125
WHS431150601	POWER HT 1_1500	Tab 125
WHS431150602	POWER HT 1_1500	Tab 125
WHS431150610	POWER HT 1.1500 G31	Tab 125









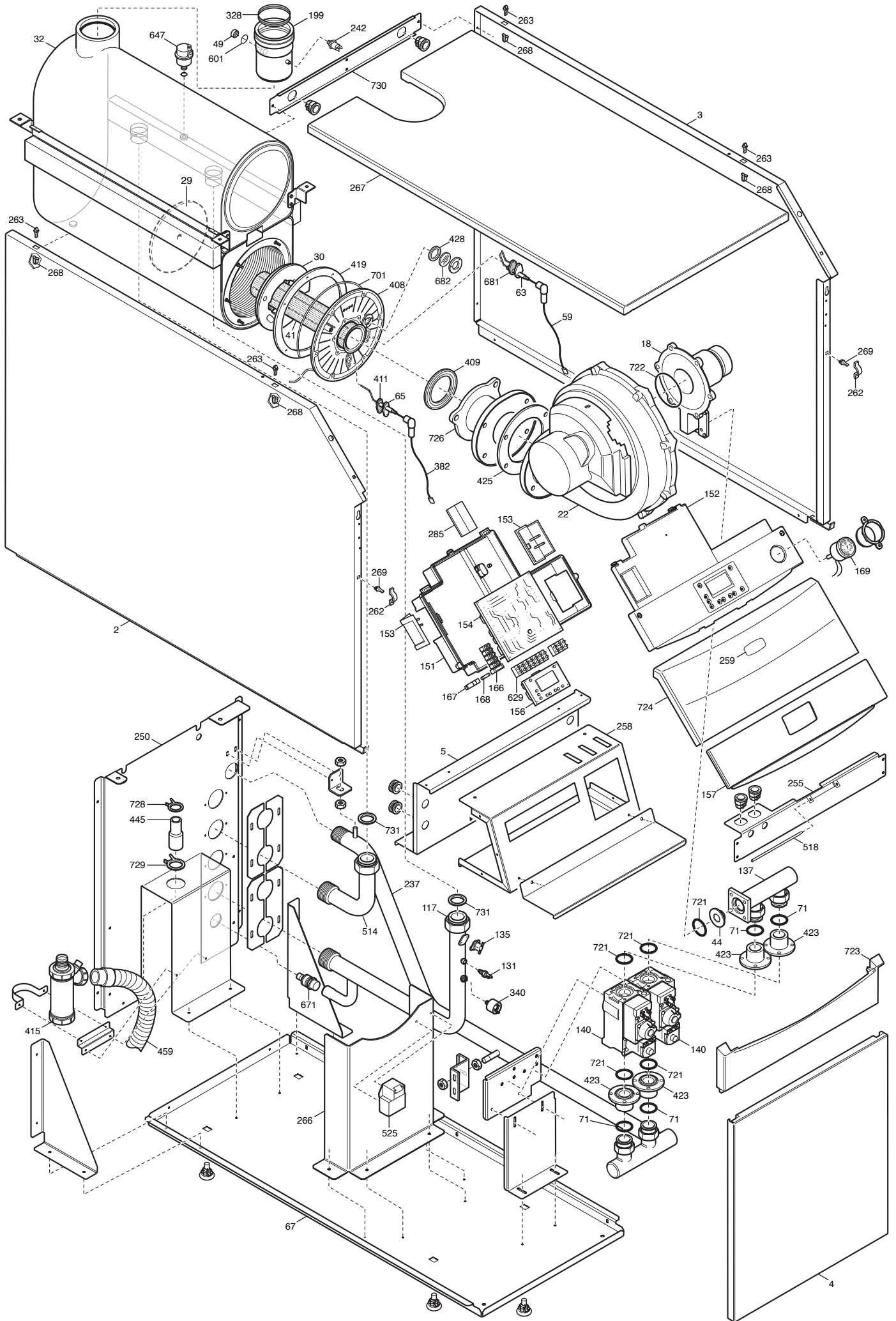




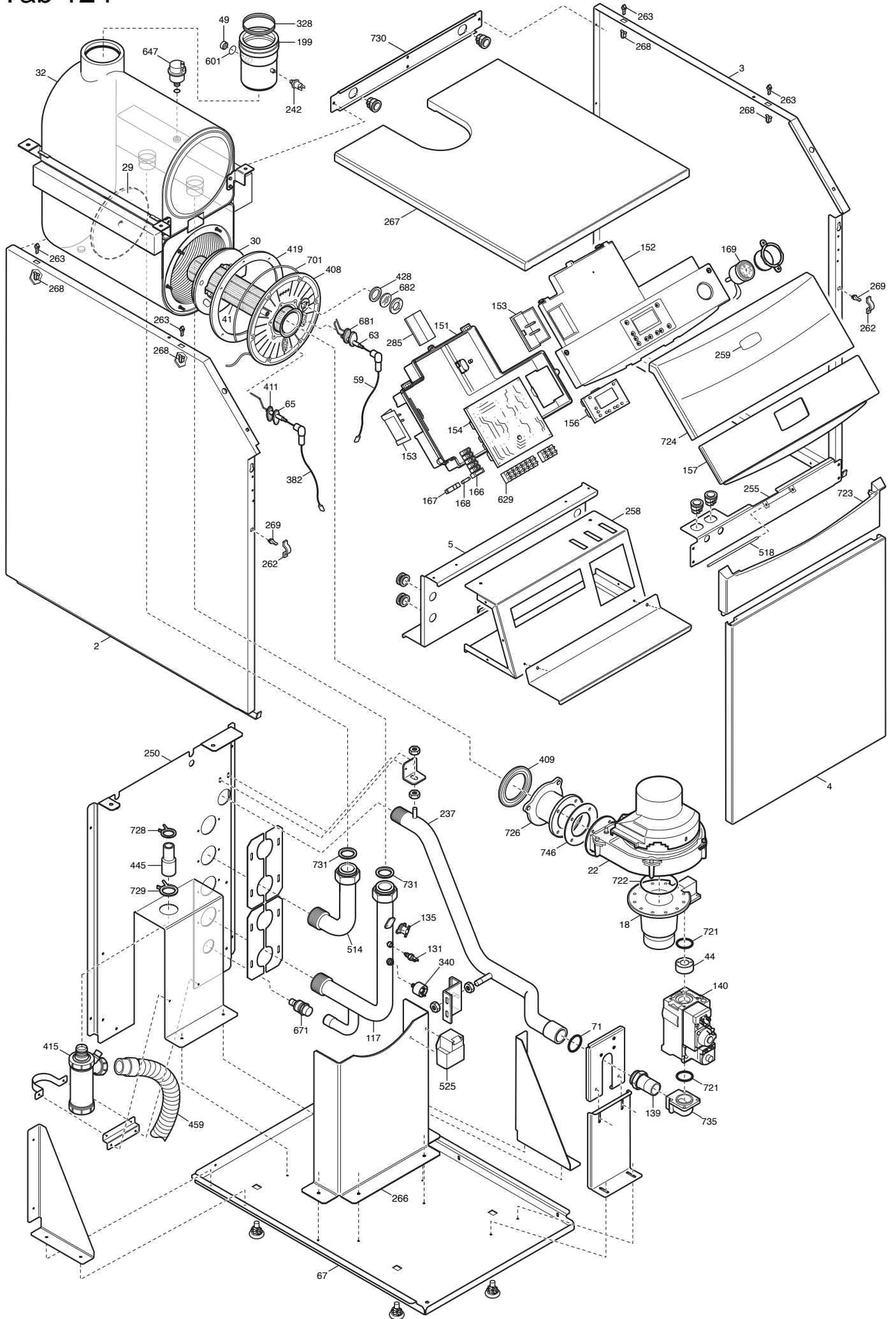




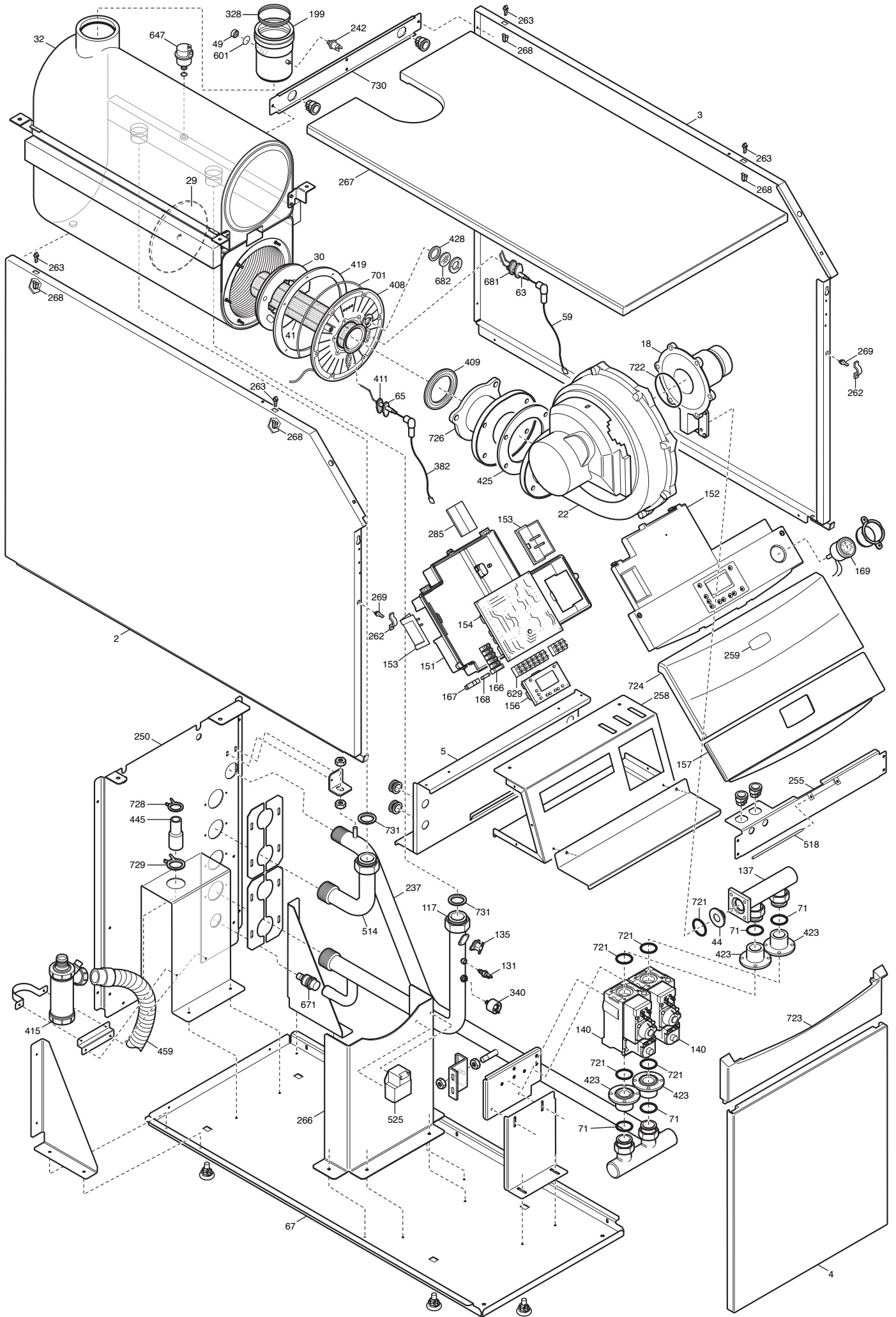
# Tab 123



# Tab 124

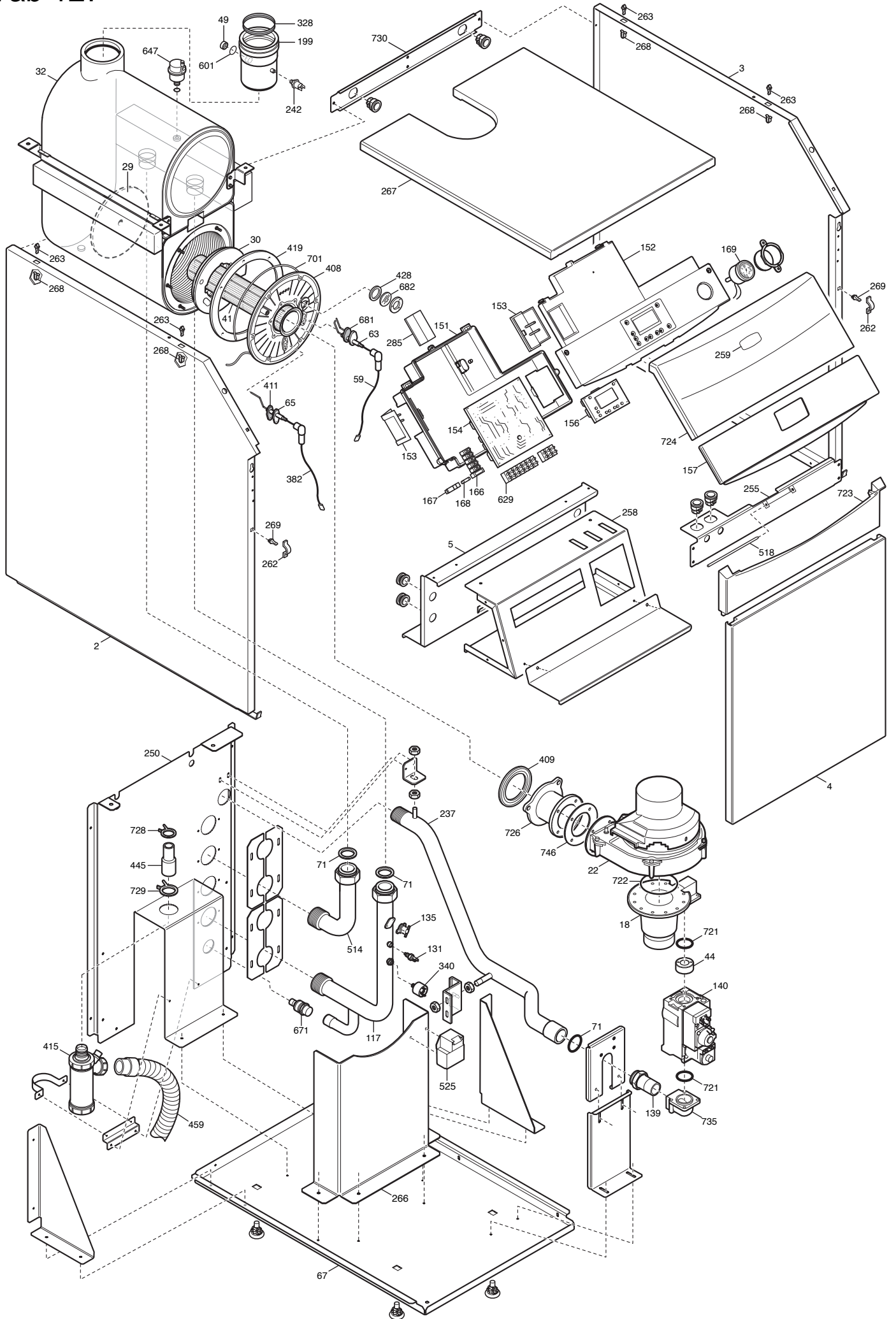


# Tab 125

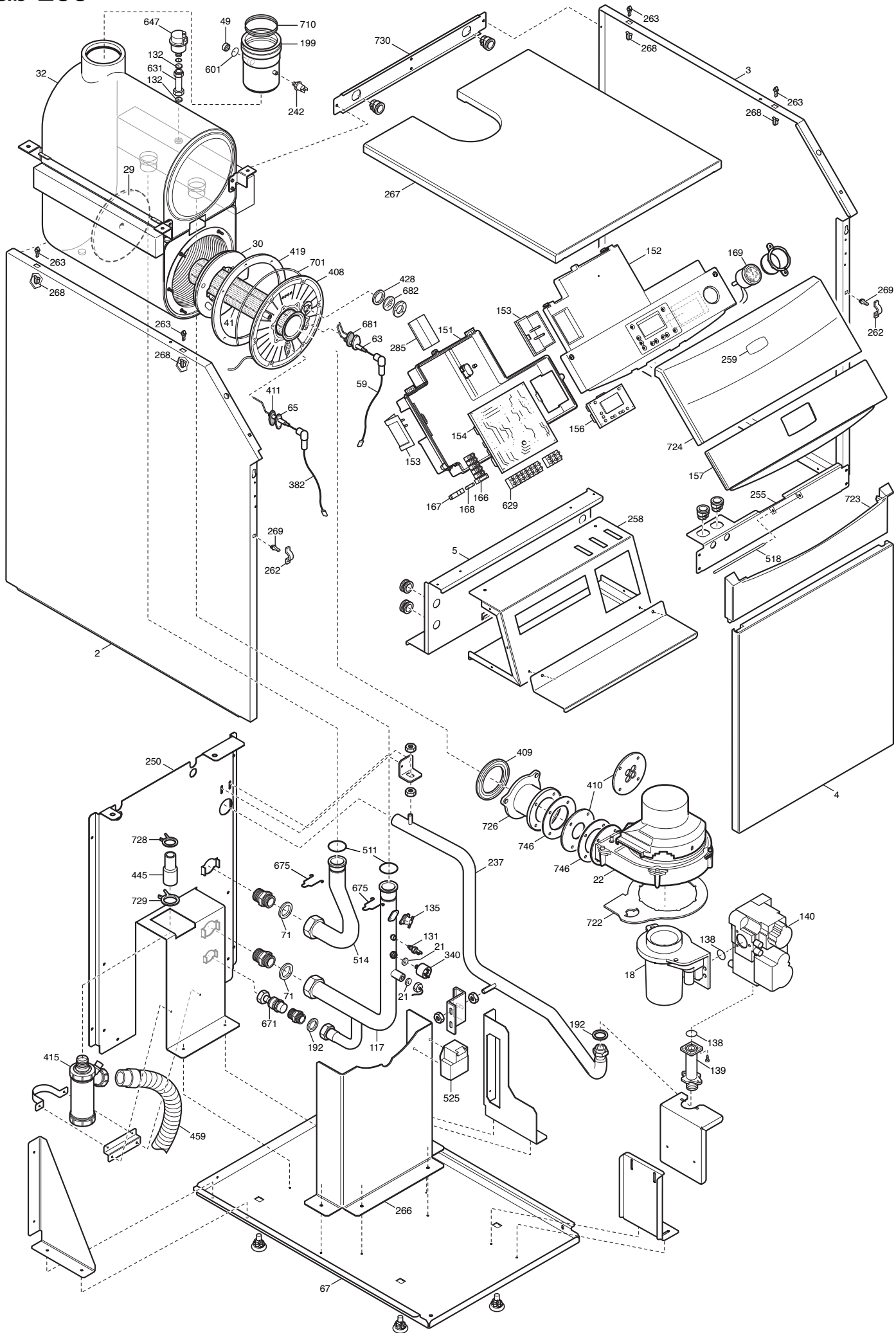




# Tab 127



# Tab 299







**BAXI**

**BAXI S.p.A.  
Via Trozzetti, 20  
36061 BASSANO DEL GRAPPA (VI)  
ITALY  
Tel. +390424517111  
Telefax +390424517379  
E-mail. [service@baxi.it](mailto:service@baxi.it)**